

Basic Rack PDU

Rack PDU, Basic, 1U, 16A, 208&230V, (10)C13 & (2) C19



APC Basic Rack PDU , Input: 230V , Input Connections: IEC-320 C20 , Cord Length: 8.2 feet (2.5 meters) , Output: 120V, 208V, 230V , Output Connections: IEC 320 C13, IEC 320 C19

Includes: Rack Mounting brackets, User Manual

Standard Lead Time: Usually in Stock


AP9559 Features

19 inch Rack-Mountable	Supplies redundant AC power to connected equipment. Two AC lines power the unit and if the primary AC power fails, the unit will automatically switch to the alternate power source.
Vertical mounting capability	
Horizontal mounting capability	

Basic Rack PDU Features & Benefits

Agility	
Rack-Mountable	Includes horizontal, vertical, and toolless-mount varieties. Puts power where it is needed most - in the racks near the equipment.
Single input power source	Supply power from one branch whip to multiple pieces of equipment, conveniently powering rack-mount equipment. Saves time and money during installation by using one branch whip and standard connections.
Wide range of input and output connections	Product family includes a variety of input and output connections to distribute 120V, 208V, or 230V power to multiple outlets. Having a variety of inputs and outputs allow users to adapt to varying power requirements. APC offers units that bring up to 14.4kW using a single branch whip.

Output

Nominal Output Voltage	120V,208V,230V	
Maximum Total Current Draw per Phase	16A	
Output Connections	(10) IEC 320 C13 (2) IEC 320 C19	
Always on Outlets	12	
Overload Protection	No	

Input

Nominal Input Voltage	230V
Input Frequency	50/60 Hz
Input Connections	IEC-320 C20
Cord Length	8.2 feet (2.50 meters)
Number of Power Cords	1
Acceptable Input Voltage	90-250 VAC
Maximum Line Current per phase	16A
Maximum Input Current per phase	16A
Load Capacity	3680 VA

Physical

Net Weight	2.15 lbs. (0.98 kg)
Maximum Height	1.75 inches (44 mm)
Maximum Width	17.60 inches (447 mm)
Maximum Depth	2.25 inches (57 mm)
Shipping Weight	5.20 lbs. (2.36 kg)
Shipping Height	6.50 inches (165 mm)
Shipping Width	19.00 inches (483 mm)
Shipping Depth	6.00 inches (152 mm)
Color	Black

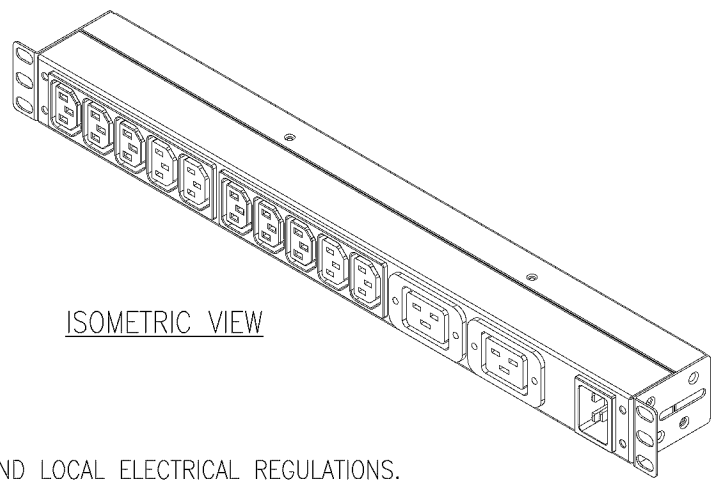
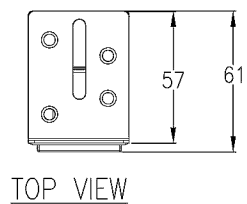
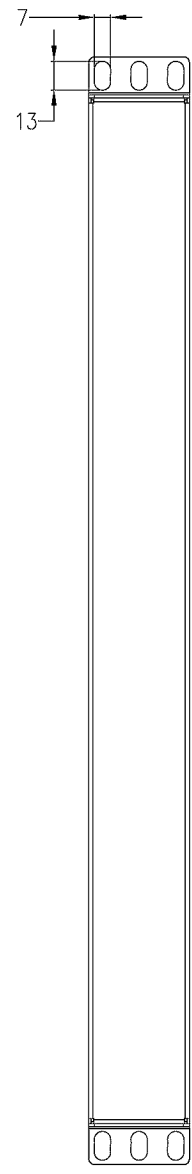
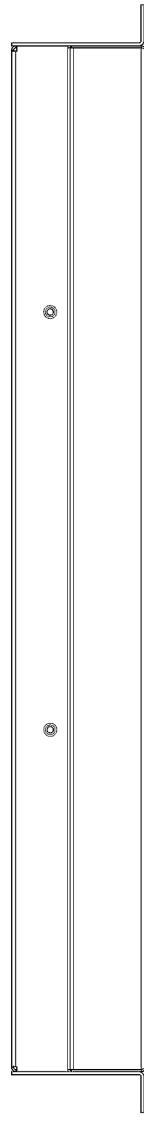
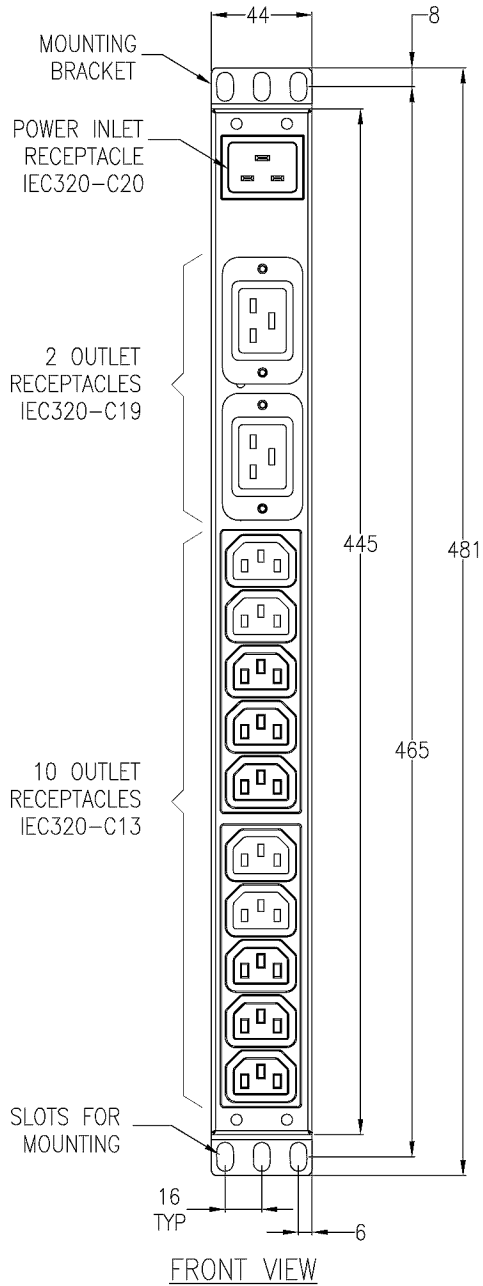
Environmental

Operating Environment	32 - 113 °F (0 - 45 °C)
Operating Relative Humidity	0%
Operating Elevation	0-10000 feet (0-3000 meters)
Storage Temperature	-13 - 149 °F (-25 - 65 °C)
Storage Relative Humidity	0%
Storage Elevation	0-50000 feet (0-15000 meters)

Conformance

Regulatory Approvals	CE,GOST,VDE,Victoria
Standard Warranty	2 years repair or replace
ROHS/WEEE Compliance	RoHS

MOUNTING OPTION-1



NOTES:

1. ALL DIMENSIONS ARE IN MILLIMETERS.
2. NET WEIGHT IS 0.98 kg.
3. LENGTH OF THE CORD IS 2500 mm.
4. INSTALLATION MUST COMPLY WITH ALL APPLICABLE NATIONAL AND LOCAL ELECTRICAL REGULATIONS.

THIS DRAWING AND SPECIFICATIONS HEREIN ARE THE PROPERTY OF AMERICAN POWER CONVERSION AND SHALL NOT BE COPIED, REPRODUCED OR USED IN WHOLE OR IN PART, AS THE BASIS FOR THE MANUFACTURE OR SALE OF ITEMS WITHOUT WRITTEN PERMISSION FROM APC. THIS DRAWING IS BASED UPON LATEST AVAILABLE INFORMATION AND IS SUBJECT TO CHANGE WITHOUT NOTICE.

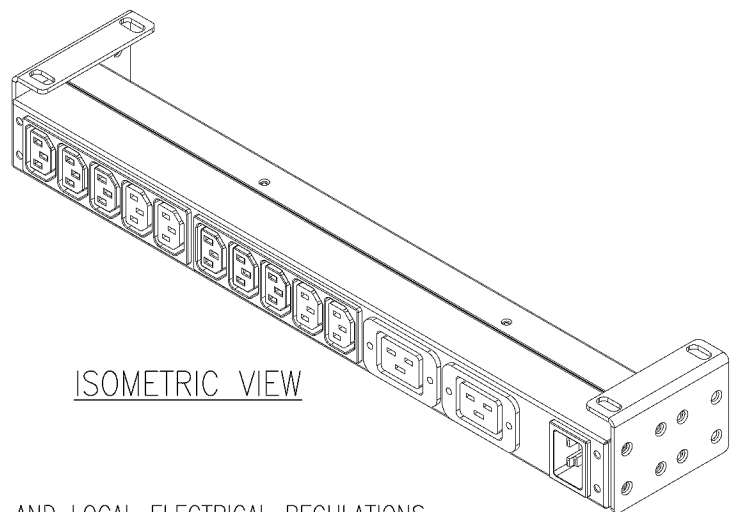
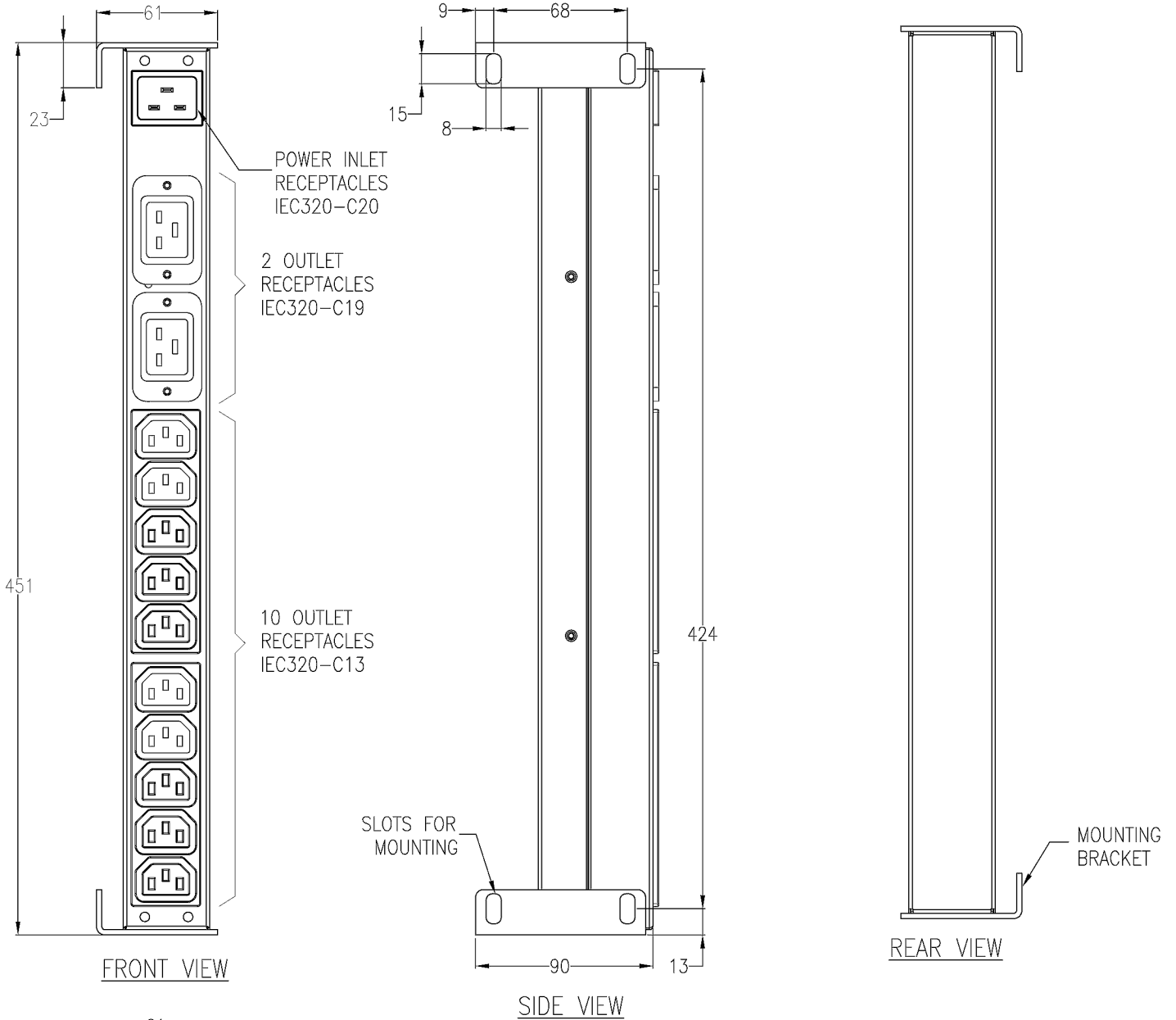


TITLE: RACK PDU, BASIC
 1U, 16A, 120V/208V/230V, INPUT: IEC320-C20
 OUTPUT: (10) IEC320-C13 & (2) IEC320-C19
 MAIN MECHANICAL, MOUNTING OPTION-1
 PROJECT: SUBMITTAL DRAWINGS | SHEET 1 OF 3

DWG NO: AP9559
 DRAWN: JAYAPRAKASH
 ENGINEER: T.HORSTMANN
 APPROVED: C.LARSEN/S.WAGH

REV: 0
 FIRST ANGLE PROJECTION

MOUNTING OPTION-2



NOTES:

1. ALL DIMENSIONS ARE IN MILLIMETERS.
2. NET WEIGHT IS 0.98 kg.
3. LENGTH OF THE CORD IS 2500 mm.
4. INSTALLATION MUST COMPLY WITH ALL APPLICABLE NATIONAL AND LOCAL ELECTRICAL REGULATIONS.

THIS DRAWING AND SPECIFICATIONS HEREIN ARE THE PROPERTY OF AMERICAN POWER CONVERSION AND SHALL NOT BE COPIED, REPRODUCED OR USED IN WHOLE OR IN PART, AS THE BASIS FOR THE MANUFACTURE OR SALE OF ITEMS WITHOUT WRITTEN PERMISSION FROM APC. THIS DRAWING IS BASED UPON LATEST AVAILABLE INFORMATION AND IS SUBJECT TO CHANGE WITHOUT NOTICE.

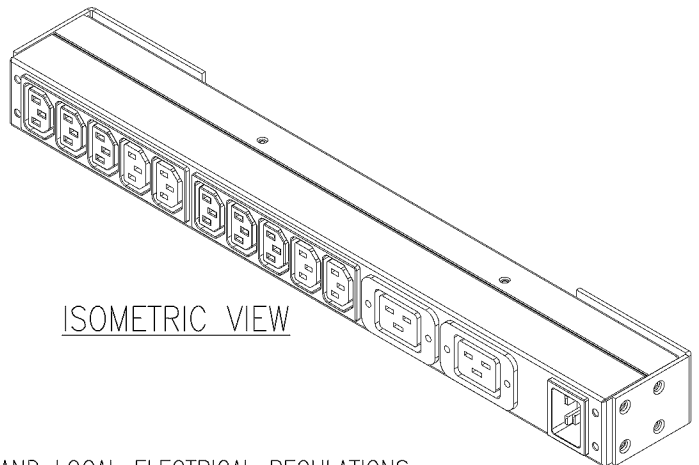
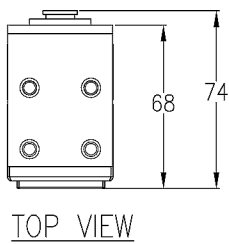
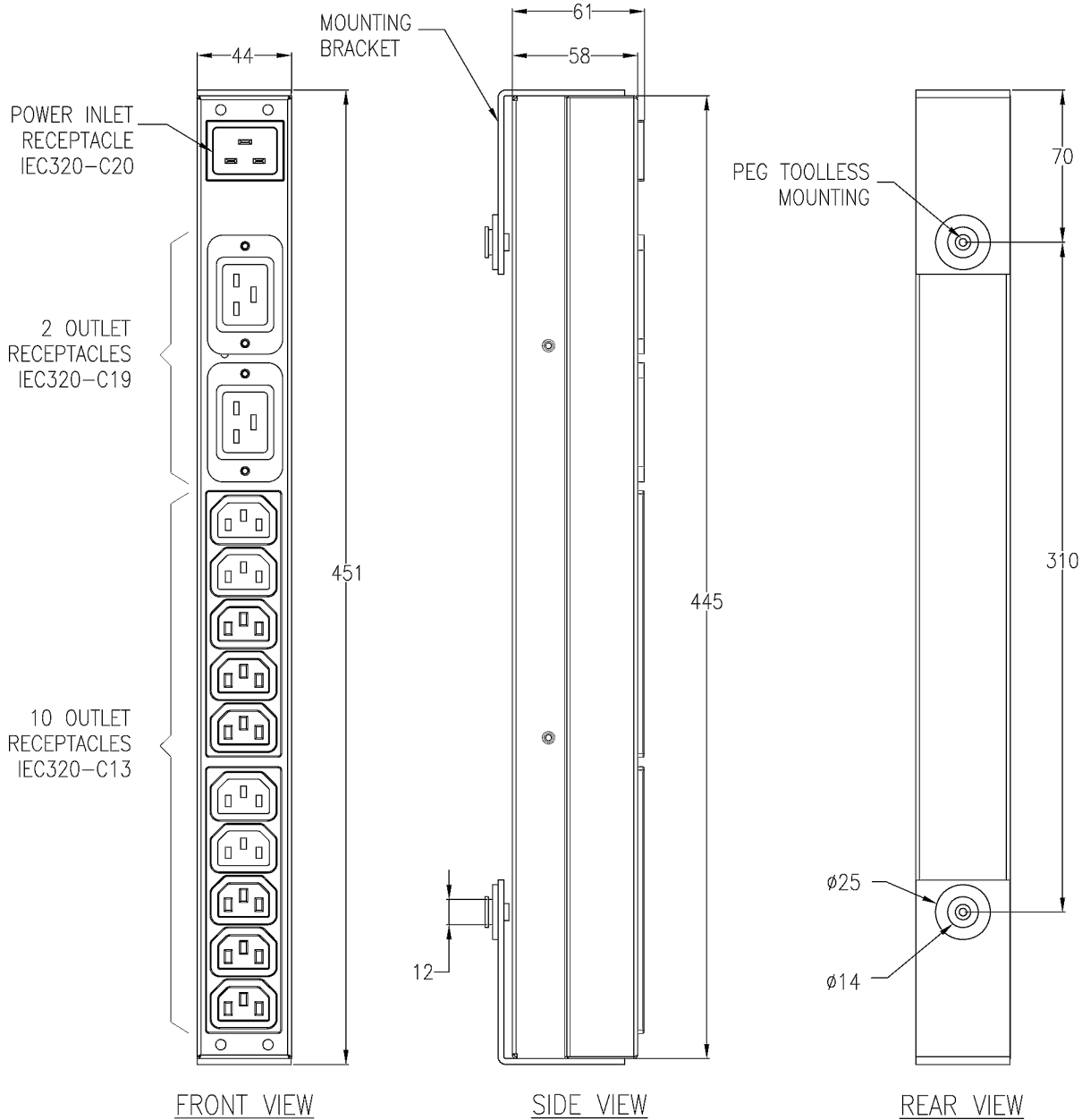


TITLE: RACK PDU, BASIC
 1U, 16A, 120V/208V/230V, INPUT: IEC320-C20
 OUTPUT: (10) IEC320-C13 & (2) IEC320-C19
 MAIN MECHANICAL, MOUNTING OPTION-2
 PROJECT: SUBMITTAL DRAWINGS | SHEET 2 OF 3

DWG NO: AP9559
 DRAWN: JAYAPRAKASH
 ENGINEER: T.HORSTMANN
 APPROVED: C.LARSEN/S.WAGH

REV: 0
 FIRST ANGLE PROJECTION

MOUNTING OPTION-3



NOTES:

1. ALL DIMENSIONS ARE IN MILLIMETERS.
2. NET WEIGHT IS 0.98 kg.
3. LENGTH OF THE CORD IS 2500 mm.
4. INSTALLATION MUST COMPLY WITH ALL APPLICABLE NATIONAL AND LOCAL ELECTRICAL REGULATIONS.

THIS DRAWING AND SPECIFICATIONS HEREIN ARE THE PROPERTY OF AMERICAN POWER CONVERSION AND SHALL NOT BE COPIED, REPRODUCED OR USED IN WHOLE OR IN PART, AS THE BASIS FOR THE MANUFACTURE OR SALE OF ITEMS WITHOUT WRITTEN PERMISSION FROM APC. THIS DRAWING IS BASED UPON LATEST AVAILABLE INFORMATION AND IS SUBJECT TO CHANGE WITHOUT NOTICE.



TITLE: RACK PDU, BASIC
 1U, 16A, 120V/208V/230V, INPUT: IEC320-C20
 OUTPUT: (10) IEC320-C13 & (2) IEC320-C19
 MAIN MECHANICAL, MOUNTING OPTION-3
 PROJECT: SUBMITTAL DRAWINGS | SHEET 3 OF 3

DWG NO: AP9559

REV. 0

DRAWN: JAYAPRAKASH
 ENGINEER: T.HORSTMANN
 APPROVED: C.LARSEN/S.WAGH
 FIRST ANGLE PROJECTION